

Refer to the supplementary operation guide supplied with the Product.  
After Power ON, the Status LED on a Clevertest Plus enabled fitting will display a rapid Green or Red flashing for a period up to 2 minutes.

Maintained fittings (CLIFEM-PRO-SMC-xx-yy-zz) cannot be scanned with a camera using the CleverSparky App as the maintained light source interferes with the camera scanning function. To register the fitting manually enter the serial number from the QR code and visually read the test result and enter manually into CleverSparky.

**4HR:** CTP will only test for the 2 hours (first test) and 90 minutes duration. 4 hours testing would only be facilitated as a Manual Discharge Test.

**Zoneworks, HIVE (HV/HVG) and DATA Monitored Options**

Fittings with part numbers -ZW, -HV, -HVG, -DATA are fitted with Zoneworks communications modules (nodes). These fittings are monitored using either Powerline Carrier Technology that utilize the power cable to provide data communication, RF transceiver modules operating in the ISM band or a dedicated data cable to/from data routers installed on a dedicated data trunk connected to a central Server (can also be connected via Ethernet/Internet/Fibre). Zoneworks software on the server is used to monitor, coordinate testing and collate test data from each fitting. Zoneworks Fittings can be commissioned by a single push of the test switch or by scanning the supplied barcode. The LED Test Switch indicator provides a multifunction indication of the status of the fitting during testing and normal operation:

| Option            | State   | LED Operation  |
|-------------------|---|--|
| ZW, HV, HVG, DATA | Commissioned                                    | LED on Solid (Green)   |
| ZW, DATA          | Un-commissioned                                 | <b>Batt plugged-in:</b> yellow 1s, green 1s  |
|                   |   | <b>Batt unplugged:</b> red 1s, off 1s  |
| HV, HVG           | Un-commissioned<br>With network connectivity    | <b>Batt plugged-in:</b> yellow 1s, green 1s  |
|                   |   | <b>Batt unplugged:</b> red 1s, off 1s  |
| HV, HVG           | Un-commissioned<br>Without network connectivity | <b>Batt plugged-in:</b> yellow 250mS, green 250mS, yellow 250mS, green 250mS, green 1s |
|                   |   | <b>Batt unplugged:</b> red 250mS, off 250mS, red 250mS, off 250mS, off 1s              |
| ZW, DATA          | Emergency Light Test In Progress                | LED flashes at yellow 5s , Off 1s  |
| HV, HVG           | Emergency Light Test In Progress                | LED flashes at yellow 1s , Off 1s  |

In the case of the DATA version a 2-way “figure 8” cable and terminal block facilitates the connection to the DATA network via a multi-drop bus (daisy chain connection). For further information of installation of a Zoneworks system, please refer to the Zoneworks Users Guide and Commissioning Guide (incl. DATA version)

**DALI EM Option**

Luminaires with part numbers having -DALI are fitted with DALI modules (nodes) that facilitate connection and integration to 3<sup>rd</sup> Party Lighting Control Systems. Before installing the -DALI luminaire, please confirm that the Lighting Control System has the capability to monitor DALI Emergency Luminaires. The -DALI fitting will be addressed and configured into the control system by the Lighting Control System Commissioning Technicians and not Clevertronics.

| State                            | LED Operation                            |
|----------------------------------|--|
| Commissioned/ Un-commissioned    | LED on Solid (Green)                     |
| Emergency Light Test in progress | LED flashes at 1s On (Yellow) & 1s Off   |
| “IDENTIFY COMMAND”               | Lamp and Status LED Flash for 30 seconds |

A 2-way “figure 8” cable and terminal block facilitates the connection to the DALI network. DALI connections are marked as Da Da.



**LP™ LIFELIGHT PRO Cylinder Surface Mount  
Emergency Luminaire  
Installation & Maintenance Instruction Leaflet**



**Victoria (Head Office & Manufacturing)**

Website: [www.clevertronics.com.au](http://www.clevertronics.com.au)

Email: [info@clevertronics.com.au](mailto:info@clevertronics.com.au)

Phone: +61 3 9559 2700

Fax: +61 3 9559 2799

**New South Wales**

Phone: +61 2 8805 6400

Fax: +61 2 8805 6444

**Queensland**

Phone: +61 7 3442 9700

Fax: +61 7 3442 9777

**South Australia/Northern Territory**

Phone: +61 8 8301 8800

Fax: +61 8 8351 8286

**Western Australia**


Phone: +61 8 9207 0000

Fax: +61 8 9207 0088

**New Zealand**

Phone: +64 800 548 448

**Designed in Australia to comply with the requirements of AS2293.3: 2005 and AS/NZS CISPR15: 2017**

NOTE: Standard product codes with this symbol  are enabled with Clevertest Plus capability. Please refer to the operation guide supplied with the product for details.

**Models: CLIFEz-PRO-SMC-xx-yy-zz**

**Testing:**

|                |             |
|----------------|-------------|
| Manual Test    | xx = Blank  |
| Zoneworks      | xx = ZW     |
| Z/W DATA       | xx = DATA   |
| Zoneworks HIVE | xx = HV/HVG |
| DALI           | xx = DALI   |
| DALI-2         | xx = D2     |

**Options:**

|                 |              |
|-----------------|--------------|
| Tamperproof     | yy = TP      |
| Maintained      | z = M        |
| Non-Maintained  | z = Blank    |
| Black           | zz = Black   |
| 4 Hour Run time | yy = 4HR     |
| Custom Colour   | zz = RALxxxx |

**Spare Parts:**

|                |  |
|----------------|--|
| 1550230        | Replacement Battery                    |
| 1550250        | Replacement Battery (-4HR)             |
| 1100869        | Replacement Emergency LED Head         |
| 1100872        | Replacement Emergency LED Head (Black) |
| AUM02370220001 | Replacement Emergency Driver           |

**Important:**

It is illegal for anyone, except for a licensed electrician to install or maintain this product. Before installation, ensure that the electricity supply has been switched off and isolated. Installation must be carried out in accordance with the relevant Australian and International Standards.

## Installation:

This CLIFE-PRO-SMC Surface Mount Non-Maintained Emergency Luminaire can be installed on solid or T-BAR ceilings or used to replace an existing unit.

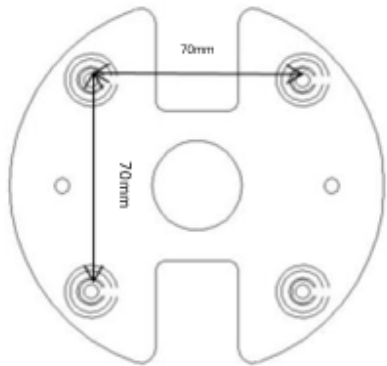
- Locate the installation position.
- Refer Images and Dimensions below for the Cut-out Hole and other dimensions.
- Pre-drill mounting holes.
- Mount base plate and use suitable fixings to secure the base plate into the pilot holes.
- Bring in supply cables via the rear entry hole or via the end of the base plate (surface mount conduit entry).
- Terminate the supply cables to the L, N & E terminals (in the case of the –DALI or –DATA fittings terminate the DALI or DATA cable to the terminals marked Da Da or DATA).
- Install the top cover, containing the control gear, ensuring to reconnect the control gear assembly to the connector from the supply terminal block.
- Ensure the Battery is connected.
- Screw the cover to the base plate.
- If the CTP capabilities are activated, please affix the CTP status label to a visible surface and Four Segment Marking on the product will include an "F" in third segment block.
- For -HV fittings, screw in the supplied antenna to the antenna connector accessible on the external surface.

## Networking:

When installing the product on a monitored network, (ZONWORKS, HIVE, DATA, DALI) simply insert the relevant Smart Node PCA.

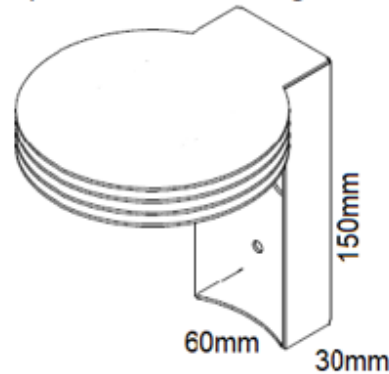
## Dimensions:

Ceiling Mounting Bracket



|                             |                       |
|-----------------------------|-----------------------|
| Luminaire Dimensions        | 245mm (L) x 128mm (D) |
| Distance b/w Mounting Holes | 70mm x 70mm           |
| Weight                      | 1.9Kg                 |

Optional Wall Mounting Bracket



|                             |                 |
|-----------------------------|-----------------|
| Distance b/w Mounting Holes | 35mm x 90mm     |
| Weight                      | 0.7Kg           |
| Part Number (White/Black)   | 2740045/2740048 |

Wall Mount Bracket is optional and needs to be ordered separately, comes with additional instructions.

## Testing:

When the unit is connected to the un-switched active, it must be allowed to charge the battery for at least 24 hours. The emergency lamp only illuminates during a power fail. Conduct the following tests:

- The emergency lamp must illuminate for at least 2 hours (4 hrs for -4HR fittings) after disconnection from the mains. The results of all tests are required to be recorded in a service logbook, which is to be kept on-site at all times. If the unit fails to illuminate for the requisite time, remedial action must be taken to repair the situation and once completed, the unit must pass a subsequent test.
- Press and hold Test Button or switch Off Mains Supply, check that the emergency lamp is On.
- Release the Test Button or Switch On Mains Supply, check that the emergency lamp is Off (Non-maintained operation).

## Trouble Shooting:

Below are a list of common problems and their possible causes.

**Fault: The Green LED Test Switch indicator is not illuminated.**

Check: A.C. is connected and is turned on.  
Battery is connected  
Test Switch for damage.

**Fault: Lamp does not illuminate in emergency mode.**

Check: A.C. is connected.  
Lamp is correctly inserted.  
Battery is connected

**Fault: Lamp illuminates in emergency mode, but only stays on for a short period.**

Check: Battery has been allowed to charge for at least 24 hours.  
Battery for damage.

## Rated Emergency Lumen Output in accordance with AS2293.1, not applicable for –TH (theatre) version (refer to spacing tables for installation positions):

Refer to the Technical Label for classification information.

## Caution:

On many building sites, power circuits may be cut off in an uncontrolled and repetitive basis during construction. As a result, any Exit & Emergency Units, on these circuits, will have their batteries discharged or "cycled". The battery in this fitting has been selected to give excellent long-life performance in a controlled AS2293 testing environment. Excessive battery cycling will reduce through-life performance and may lead to premature battery failure. Battery warranty claims, as a result of such abuse, are specifically EXCLUDED from Clevertronics warranty terms.

## Warranty:

For Product Warranty information and Terms and Conditions of Sales please refer to our website <http://clevertronics.com.au/terms-conditions-sale-australia-nz/>